

ECU[®]

DAO1 Diode Manual

ECU is a registered trademark of Engineering Concepts Unlimited Inc.

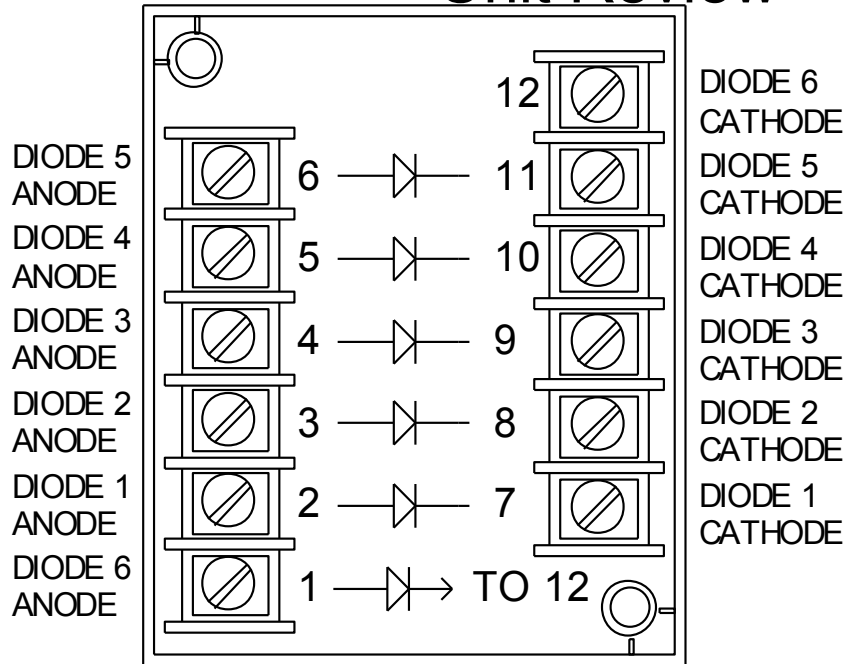
Copyright 2015 Engineering Concepts Unlimited Inc.

Contents

Unit review

DAO1 example

Unit Review



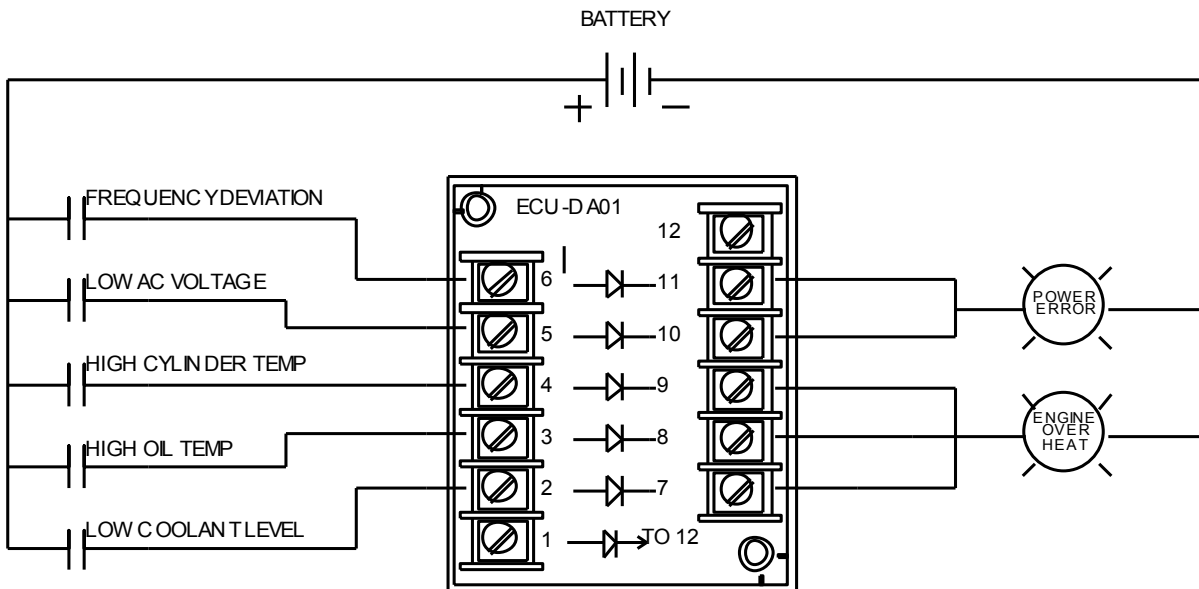
DAO1 Terminal Drawing

The DAO1 allows packaged used of diodes in all applications.

All the diodes are completely isolated from one another allowing complete freedom of use. You can use them as clamp diodes. You can use them as “ORing” diodes. You can use them as anti-backfeed diodes.

This product though simple is used to streamline manufacturing and allow easy documentation of circuitry.

DAO1 Example



Basic DAO1 operation

This simple application allows for a grouping of similar faults into a few lights thus allowing the operator less monitoring indicators but still full functionality of monitoring all points.