

## 6 ISOLATED DIODES IN ONE PACKAGE

The **ECU®-DA01** diode array module consists of six separate isolated diodes. They are pre-packaged into a wire ready module.

**ECU® -DA01**

ONE VERSION FOR  
12 AND 24 VDC

**APPLICATIONS:** Control Systems, Relay logic, Diode Clamping, etc.

### FEATURES:

- Six pre-packaged silicon diodes
- All diodes connected to a pre-numbered terminal strip
- All diodes totally isolated from each other allowing any type of field connection
- Epoxy encapsulated module for excellent field reliability
- Low cost and easy availability .
- Compact module for easy mounting



### ECU®-DA01 AN EASY TO USE DIODE MODULE

The constant requirement for diodes in control circuitry is forever frustrating. They are a constant help in isolating backfeed from one circuit to another and always end up across some high noise producing solenoid.

The main problem with these little wonders is the difficulty in actually mounting and wiring to them. They have a bad habit of fracturing at the diode bodies rendering them useless. They are also very difficult to indicate proper circuit connection since neither end of the device is numbered.

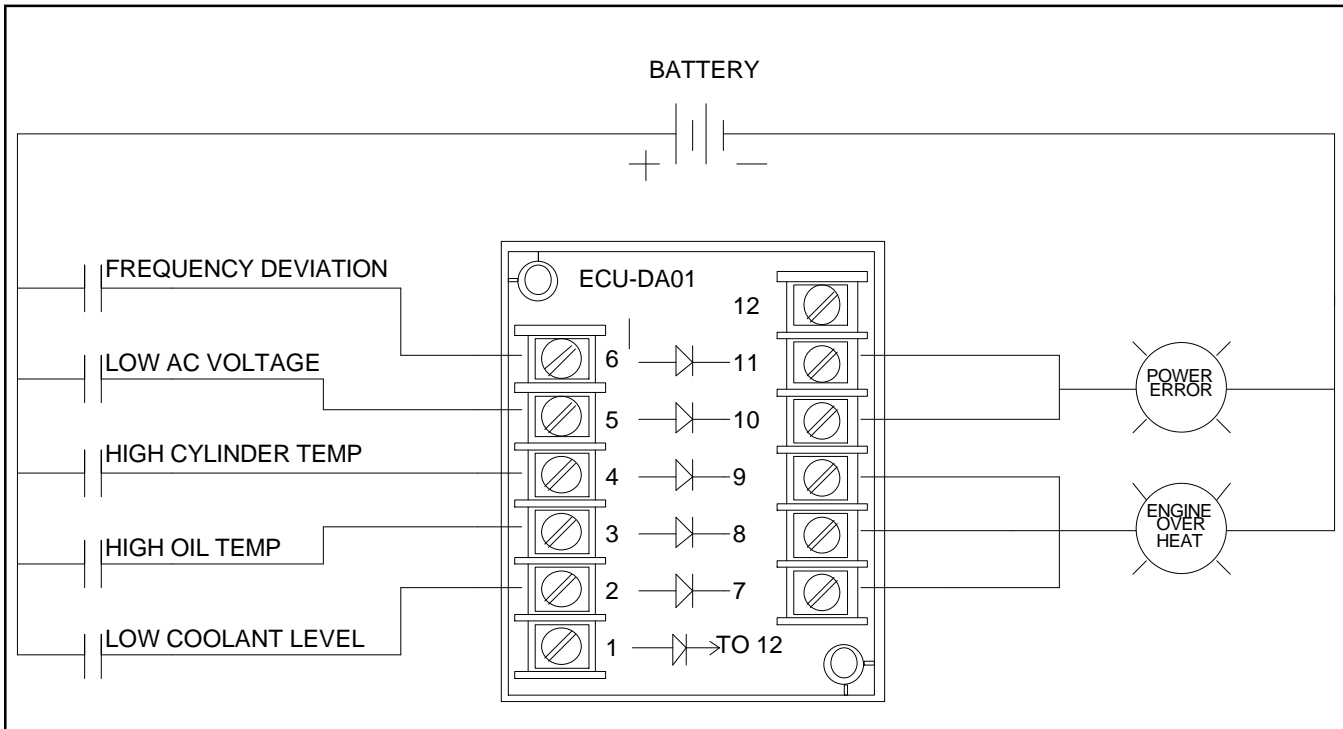
The **ECU®-DA01** as you can see eliminates these problem areas and allows easy use of the diodes contained within.

ECU® IS A REGISTERED TRADEMARK OF  
ENGINEERING CONCEPTS UNLIMITED, INC.

P.O. BOX 250 - 8950 TECHNOLOGY DRIVE - FISHERS, IN 46038

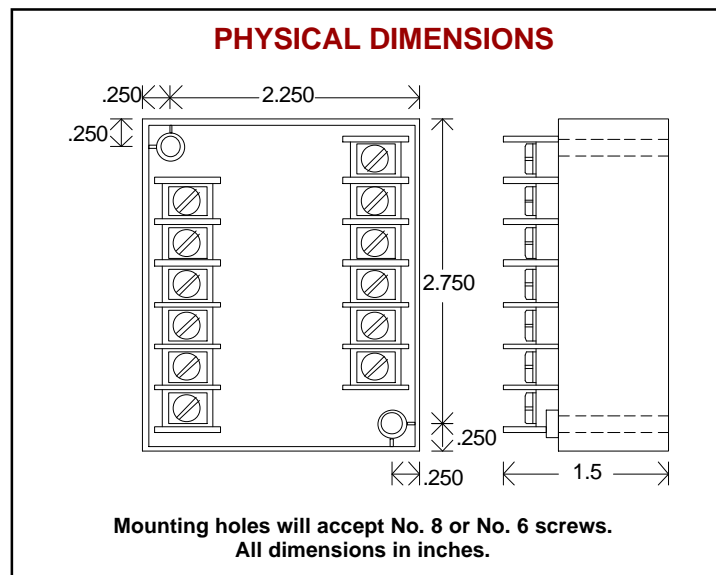
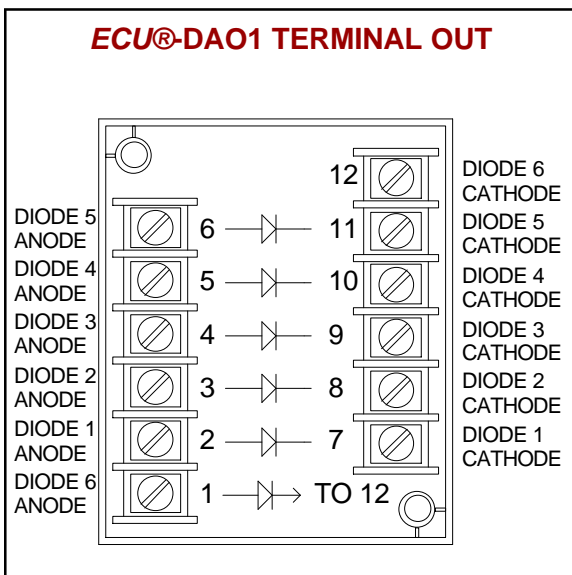
Voice: 317-849-8470 Fax: 317-849-6475 E-Mail: sales@ecu-engine-controls.com

**SAMPLE ECU®-DAO1 APPLICATION:  
GROUPING FAULTS INTO COMMON PROBLEM LAMPS**



There are plenty of known applications for diodes but this example shows an interesting idea that may help end users a bit when system annunciation is of a high point count nature. Rather than have to face many different lights and understand the meaning of each this example groups certain errors into an easy to understand lamp output. For example, placing voltage on either terminals 2, 3, or 4 causes the engine overheat lamp to light.

**SPECIFICATIONS:** 1 AMP DC MAX THROUGH ANY DIODE  
100 VOLTS DC MAX ON INPUT



**ORDERING INFORMATION:**  
ORDER BY SPECIFYING: ECU®-DAO1

**ECU® IS A REGISTERED TRADEMARK OF  
ENGINEERING CONCEPTS UNLIMITED, INC.**